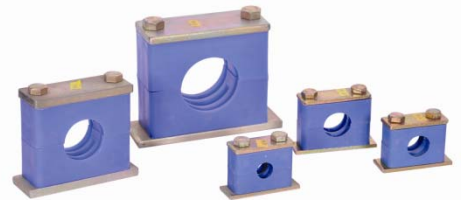
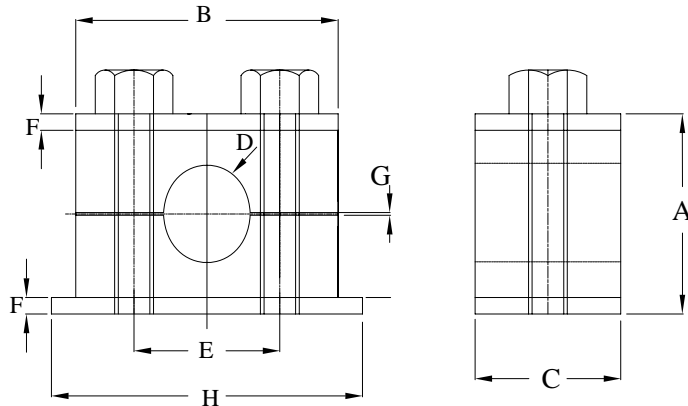


FLUDEN tube clamp are best known tube clamp with sufficient strength this tube clamps are more suitable where hydraulic pipe lines are required to be straight in short as well as long length. Tube clamps are made out from high density polyethylene materials having good strength and mild steel plates. Tube clamps are in various sizes



Heavy Mechanical Stress (PCH)										
ORDER CODE	A	B	C	D	E	F	G	H	Hex Nut	Round Nut
PCH - 10	41	56	30	10	33	5	0.6	73.5	Y	N
PCH - 12	41	56	30	12	33	5	0.6	73.5	Y	N
PCH - 16	41	56	30	16	33	5	0.6	73.5	Y	N
PCH - 18	41	56	30	18	33	5	0.6	73.5	Y	N
PCH - 20	57	71	30	20	45	5	0.6	86	Y	N
PCH - 22	57	71	30	22	45	5	0.6	86	Y	N
PCH - 25	57	71	30	25	45	5	0.6	86	Y	N
PCH - 26.7	57	71	30	26.7	45	5	0.6	86	Y	N
PCH - 28	57	71	30	28	45	5	0.6	86	Y	N
PCH - 30	68	85	30	30	60	5	0.6	100	Y	N
PCH - 32	68	85	30	32	60	5	0.6	100	Y	N
PCH - 33.7	68	85	30	33	60	5	0.6	100	Y	N
PCH - 35	69	85	30	35	60	5	0.6	100	Y	N
PCH - 38	68	85	30	38	60	5	0.6	100	Y	N
PCH - 42	68	85	30	42	60	5	0.6	100	Y	N
PCH - 48	110	117	45	48	90	10	2.0	130	N	Y
PCH - 50	110	117	45	50	90	10	2.0	130	N	Y
PCH - 60	110	117	45	60	90	10	2.0	130	N	Y
PCH - 65	140	152	63	73	122	10	2.0	184.5	N	Y
PCH - 73	140	152	63	73	122	10	2.0	184.5	N	Y
PCH - 75	140	152	63	75	122	10	2.0	184.5	N	Y
PCH - 76.1	140	152	63	76.1	122	10	2.0	184.5	N	Y
PCH - 88.9	140	152	63	88.9	122	10	2.0	184.5	N	Y

PCH - 90	203	206	80	90	168	15	2.0	229	N	Y
PCH - 100	203	206	80	100	168	15	2.0	229	N	Y
PCH - 101.6	203	206	80	101.6	168	15	2.0	229	N	Y
PCH - 108	203	206	80	108	168	15	2.0	229	N	Y
PCH - 114	203	206	80	114	168	15	2.0	229	N	Y
PCH - 133	203	206	80	133	168	15	2.0	229	N	Y
									N	Y
PCH - 140	218	251	90	140	205	15	3.0	272	N	Y
PCH - 152	218	251	90	152	205	15	3.0	272	N	Y
PCH - 165	218	251	90	165	205	15	3.0	272	N	Y
PCH - 168	218	251	90	168	205	15	3.0	272	N	Y
									N	Y
PCH - 168	320	336	120	168	265	25	3.0	340	N	Y
PCH - 178	320	336	120	178	265	25	3.0	340	N	Y
PCH - 194	320	336	120	194	265	25	3.0	340	N	Y
PCH - 216	320	336	120	216	265	25	3.0	340	N	Y
PCH - 219	320	336	120	219	265	25	3.0	340	N	Y
									N	Y
PCH - 219	470	470	160	219	395	30	3.0	520	N	Y
PCH - 244	470	470	160	244	395	30	3.0	520	N	Y
PCH - 273	470	470	160	273	395	30	3.0	520	N	Y
PCH - 324	470	470	160	324	395	30	3.0	520	N	Y
									N	Y
PCH - 356	590	630	180	356	534	30	3.0	680	N	Y
PCH - 406	590	630	180	406	534	30	3.0	680	N	Y

Order Code	Tube Clamp	Series	OD (mm)	Material
	PC	X	XX	PP, PA, HDPE, ALL
		S = Standard	PP = Poly Propylene /	ALL = Aluminum
		H = Heavy	PA = Poly Amide	
		D = Double / Twin	HDPE = High Density Poly Ethylene	

Note:

- **Unspecified tolerance ± 1 mm**
- **DIMENSIONS IN MM FOR REFERENCE**