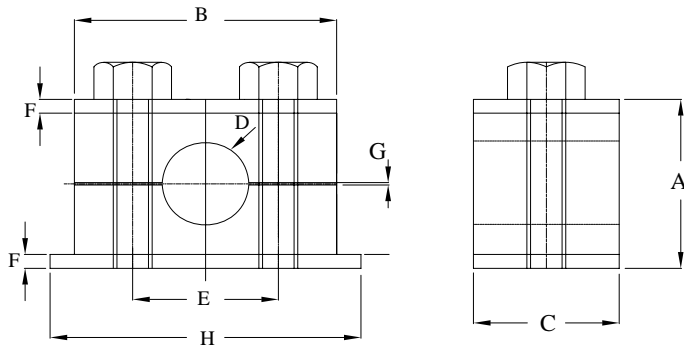


FLUDEN tube clamp are best known tube clamp with sufficient strength this tube clamps are more suitable where hydraulic pipe lines are required to be straight in short as well as long length. Tube clamps are made out from Aluminum materials having good strength and mild steel plates. Tube clamps are in various sizes.



Aluminum Standard Mechanical Stress (ALPCS)									Hex Nut	Round Nut
Order Code	A	B	C	D	E	F	G	H		
ALPCS – 6.35	32.5	34.5	30	6.35	20	3	0.3	45.5	Y	N
ALPCS - 08	32.5	34.5	30	8	20	3	0.3	45.5	N	Y
ALPCS - 10	32.5	34.5	30	10	20	3	0.3	45.5	N	Y
ALPCS - 12	32.5	34.5	30	12	20	3	0.3	45.5	N	Y
ALPCS - 12.7	39	42	30	12.7	26	3	0.5	54	Y	N
ALPCS - 14	39	42	30	14	26	3	0.5	54	Y	N
ALPCS - 15	39	42	30	15	26	3	0.5	54	Y	N
ALPCS - 16	39	42	30	16	26	3	0.5	54	Y	N
ALPCS - 18	39	42	30	18	26	3	0.5	59	Y	N
ALPCS - 20	40	48	30	20	33	3	0.5	59	Y	N
ALPCS - 22	40	48	30	22	33	3	0.5	59	Y	N
ALPCS - 25	40	48	30	25	33	3	0.5	59	Y	N
ALPCS - 26.7	48.5	57	30	26.7	40	3	0.5	69	Y	N
ALPCS - 28	48.5	57	30	28	40	3	0.5	69	Y	N
ALPCS - 30	48.5	57	30	30	40	3	0.5	69	Y	N
ALPCS - 32	48.5	57	30	32	40	3	0.5	69	Y	N
ALPCS - 33.7	63	70	30	33.7	52	3	0.6	81	Y	N
ALPCS - 35	63	70	30	35	52	3	0.6	81	Y	N
ALPCS - 38	63	70	30	38	52	3	0.6	81	Y	N
ALPCS - 42	63	70	30	42	52	3	0.6	81	Y	N
ALPCS - 48	71	86	30	48	66	3	0.8	98	Y	N
ALPCS - 50	71	86	30	50	66	3	0.8	98	Y	N
ALPCS - 57.2	71	86	30	57.2	66	3	0.8	98	Y	N
ALPCS - 60	99	115	30	60	95	5	1	134	Y	N
ALPCS - 63.5	99	115	30	63.5	95	5	1	134	Y	N
ALPCS - 65	99	115	30	60	95	5	1	134	Y	N

Order Code	Tube Clamp	Series	OD (mm)	Material
	PC	X	XX	PP, PA, HDPE, ALL
		S = Standard	PP = Poly Propylene /	ALL = Aluminum
		H = Heavy		PA = Poly Amide
		D = Double / Twin	HDPE = High Density Poly Ethylene	

Note:

- **Unspecified tolerance ± 1 mm**
- **DIMENSIONS IN MM FOR REFERENCE**