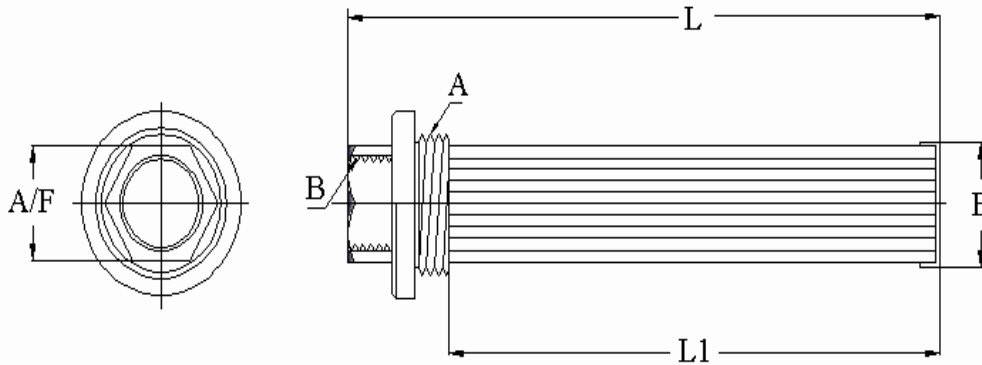


TANK MOUNTED STRAINER – TMA

FLUDEN

- TANK MOUNTED REUSABLE STRAINER
- SIDE WALL OR TANK TOP MOUNTING
- FLOWS TO 40 GPM (160 LPM)
- STAINLESS STEEL PLEATED MEDIA
- 100 MESH (149 MICRON) STANDARD
- DIE CAST ALUMINIUM BUSHING



Series	Bushing Size		LPM / GPM	Screen	Dimensions				WT.
	Dim.A x Dim.B			Area	L	L1	E	A / F	KGS
	UN (2A) X UN (2B)		Rating	SQ. IN.					
TMA - 03	1-1/16" -12	x 3/4" - 16	012 / 3	30	101.6	67	20.0	31.5	0.1
TMA - 05	1-5/16" -12	x 3/4" - 16	020 / 5	54	137.0	102	28.0	31.5	0.12
TMA - 10	1- 5/8" -12	x 1-1/16" - 16	040 / 10	90	208.0	172	35.0	38.0	0.18
TMA - 15	1- 7/8" -12	x 1-5/16" - 16	060 / 15	120	208.0	172	45.0	46.0	0.23
TMA - 25	2- 1/2" -12	x 1- 5/8" - 12	080 / 20	160	228.6	194	51.0	54.0	0.36
TMA - 30	3- 3/8" -12	x 1- 7/8" - 24	120 / 30	230	223.5	184	81.0	63.0	0.55
TMA - 40	3- 3/8" -12	x 2- 1/2" - 32	160 / 40	230	236.2	190	81.0	76.0	0.55

TOLARNCE = ± 1 MM

MODEL CODE : ASSEMBLY

TMH	20		-149	RB3	Recommended Weld Flange To Be Ordered Separately TWF - 12 U TWF - 16 U TWF - 20 U TWF - 24 U TWF - 32 U TWF - 48 U TWF - 48 U
SERIES	SIZE	THREAD / HOSE DIA STD	MICRONS	OPTIONAL	
TMA	3	12 S / 08 S	149 - SS 100 MESH STD	RB 3 3 P.S.I BYPASS VALVE (OMIT IF NOT REQD.)	
	5	16 S - 08 S	125 - SS 120 MESH		
	10	20 S - 12 S	100 - SS 150 MESH		
	15	24 S - 16 S	074 - SS 200 MESH		
	20	32 S - 20 S	063 - SS 250 MESH		
	30	48 S - 24 S	Also - 30 / 60 MESH		
	40	48 S - 32 S	(OMIT IF STD).		

CONTACT FACTORY FOR OPTIONAL FEATURE

DIMENSIONS IN MM FOR REFERENCE ONLY

PRODUCT UNDER DEVELOPMENT

APPLICATION OF THE TANK MOUNTED STRAINER

