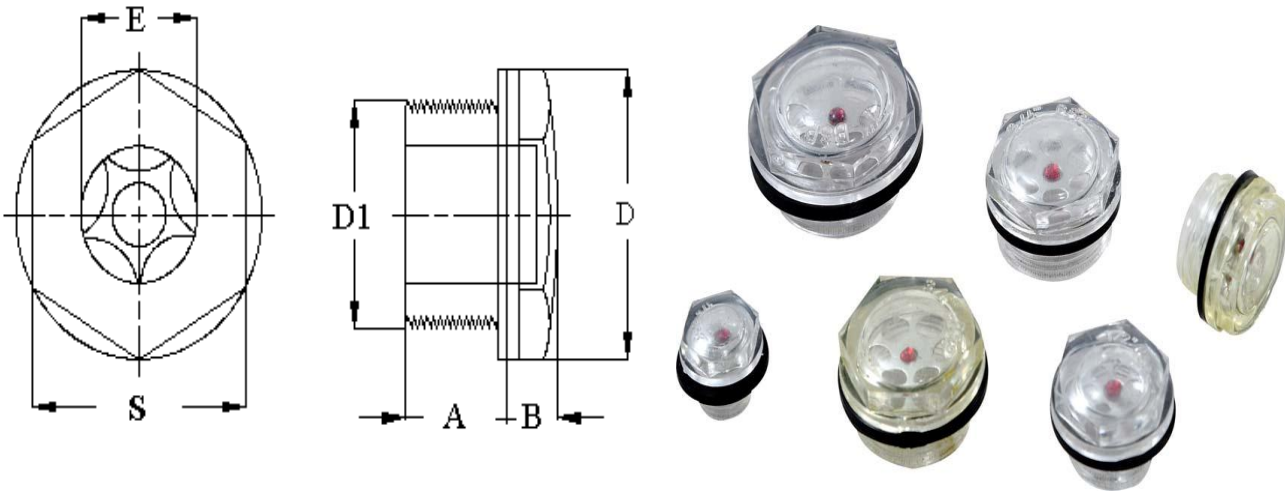


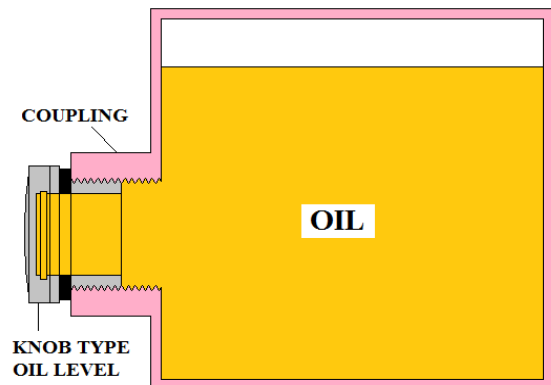
- Special transparent Polycarbonate Techno polymer suitable for Mineral / Petroleum based oils.
- Anodized aluminum star – shaped Contrast screen and central level sight hole
- NBR synthetic rubber packing ring Maximum Working temperature 80°C at normal pressure
- TRANSPARENT Polyamide material is available. Resistant to solvents, Oils with additives, greases, acids & alkali and water based fluids.
- Avoid contact with alcohol or detergents containing alcohol.



PART NO	D 1	A	B	D	E	S	WEIGHT
		MM	MM	MM	MM	MM	GRAM
KNOB TP	1/4" BSP / NPT	10.5	6	18	9	15	2
KNOB TP	1/2" BSP / NPT	10	8	26	13	22	5.5
KNOB TP	3/4" BSP / NPT	11	9	33	21	27	6
KNOB TP	1" BSP / NPT	11	9.5	40	26	34	10
KNOB TP	1.1/4" BSP / NPT	11.5	13	47.5	30	40.5	20
KNOB TP	M16 X 1.5	8	7	22	11	19	4
KNOB TP	M20 X 1.5	14	8	26	13	23	5.5
KNOB TP	M25 X 1.5	8	9	31.5	18	27	8
KNOB TP	M30 X 1.5	9	10	35	22	30	10
KNOB TP	M35 X 1.5	11	10	40	26	34	13
KNOB TP	M40 X 1.5	11.5	13	47.5	30	40.5	20

For any special requirement please contact company.

Tolerance ± 0.5 MM



DIMENSIONS IN MM FOR REFERENCE ONLY