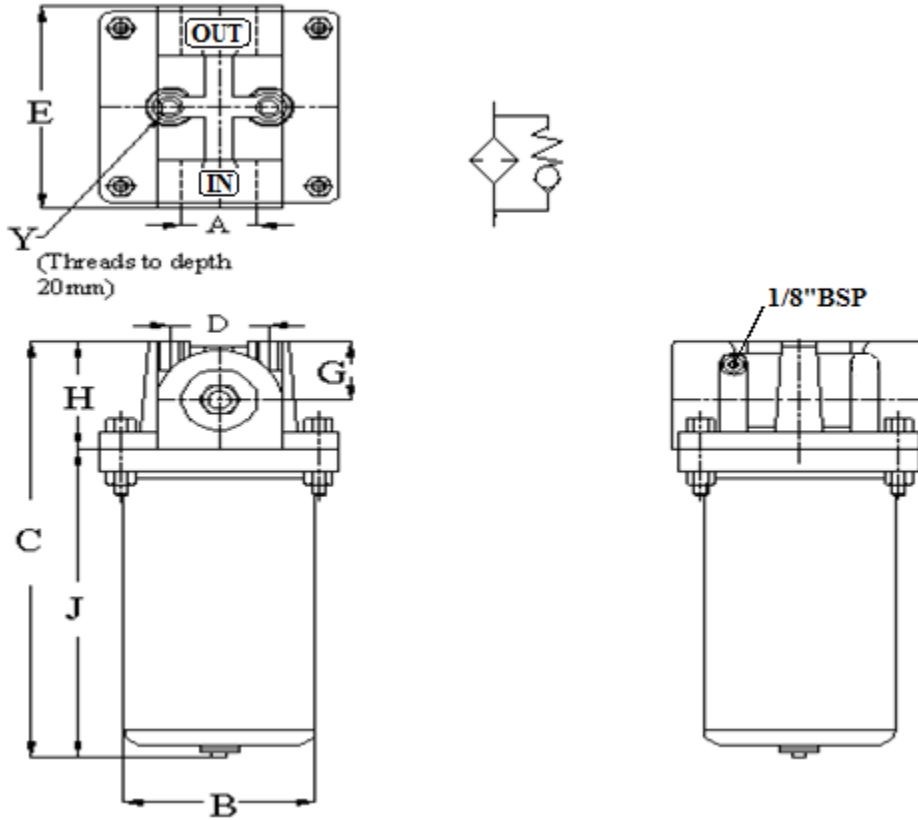


- BY PASS STANDARD 1 BAR
- WORKING PRESSURE TO 20 BAR
- MAX. TEMP LIMITED TO 80° C
- 3 BASIC MODEL – FLOWS TO 120 LPM
- SUITABLE FOR MINERAL / PETROLEUM BASED OILS
- ALUMINIUM DIE CAST CONSTRUCTION



MODEL	LPM	PORT									Element Area (Sq. Cms.)		
		A	B	C	D	E	G	H	J	Y	Oct-25 PAPER	149 SS MESH	Kgs.
HFR 05	40	1/2"	66	147	38	88	24	44	103	M 8	920	360	0.90
HFR 10	80	3/4"/1"	84	180	43.5	112	24	50	128	M 8	2205	560	1.24
HFR 20	120	1-1/4" 1-1/2"	120	286	56	132.5	34.5	70	215	M10	5700	1800	4.16

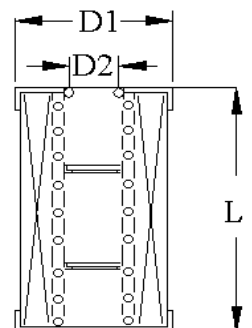
MODEL CODE : ASSEMBLY

HFR	5	4	B	10	**
TYPE	SIZE	PORT	THRED	FILTRATION	INDICATOR
		INCH		MICRONS	OPTIONAL #
R - RETURN	5	04 - 1/2"	B - BSPP (STD)	10 - 10 NOM	G - VISUAL
S - SUCTION	10	06 - 3/4" 08 - 1"	N - NPT (OPTIONAL)	025 -25 NOM	
	20	10 - 1-1/4" 12- 1-1/2"		149- 149 WIRESH	

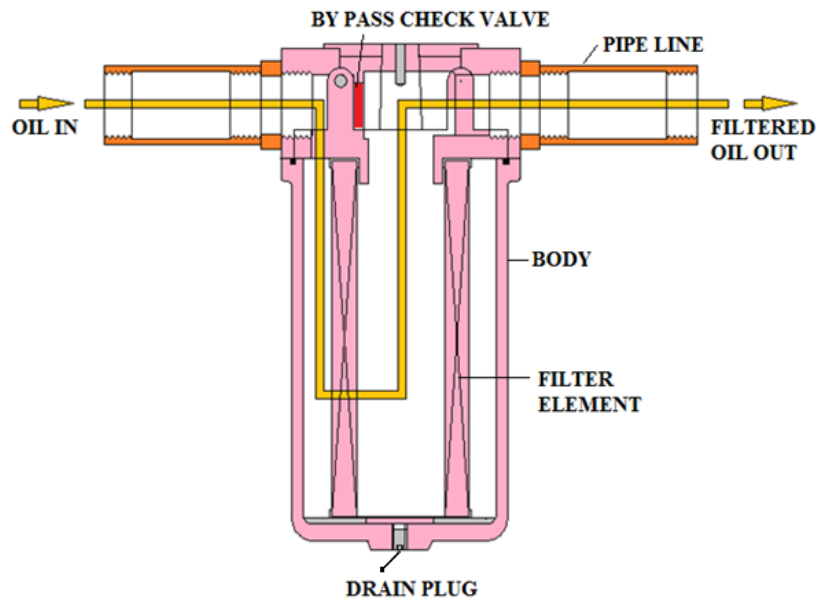
*OMIT IF NOT REQUIRED
MODEL CODE : ELEMENT

HFE	P	M	D 2	LENTH	Element Area (Sq. Cm .)	
	D 1	D 1		L	10 / 25	149
					PAPER	SS MESH
HFE - 10	70	65	34	109	2205	560
HFE - 20	100	85	51	200	7235	1800

P = PAPER , M= ALL MESH ELEMENTS
* Tolerance: +1 MM



APPLICATION OF THE FILTER



APPLICATION OF RETURN IN LINE FILTER