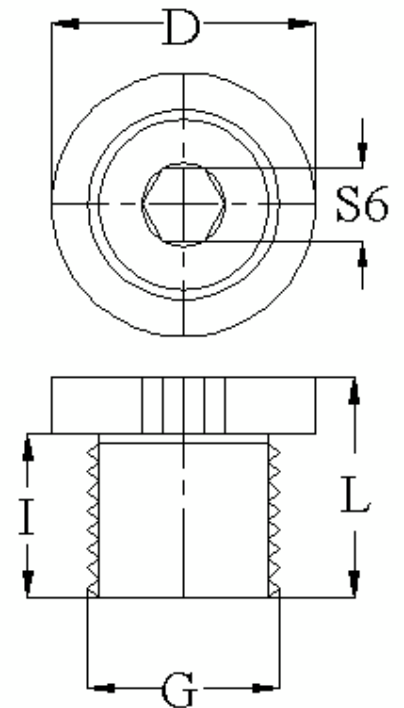




MODEL CODE	G	S6	D	L	I
	BSP	MM	MM	± 1 MM	MM
COLLER PLUG	1/8"	5	14	10.5	9
COLLER PLUG	1/4"	6	19	17	12
COLLER PLUG	3/8"	8	22	17	12
COLLER PLUG	1/2"	10	27	18.5	13
COLLER PLUG	3/4"	12	32	21.5	16
COLLER PLUG	1"	17	41	23.5	17
COLLER PLUG	1-1/4"	19	49	26	20
COLLER PLUG	1-1/2"	20	55	26	18



TOLARNCE = ± 0.5 MM

DIMENSIONS IN MM FOR REFERENCE ONLY