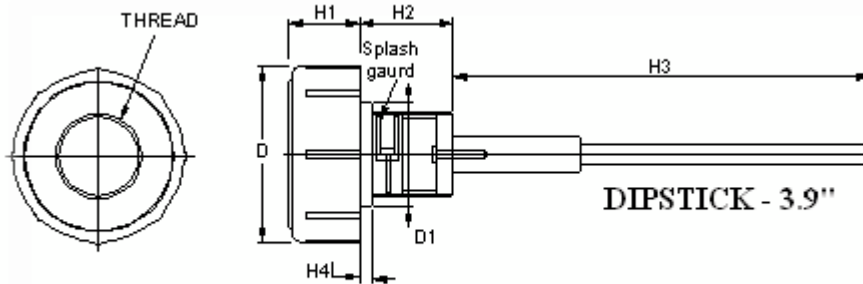


- STURDY CONSTRUCTION
- VENTS UNDERNEATH
- SPLASH GUARD STANDARD
- FILTRATION 40 MICRONS
- SUITABLE FOR MINIATURE POWER PACKS
- DIPSTICK OPTIONAL
- CONSULT FACTORY FOR OEM BULK CUSTOM REQUIREMENT
- Maximum temperature 100 °C



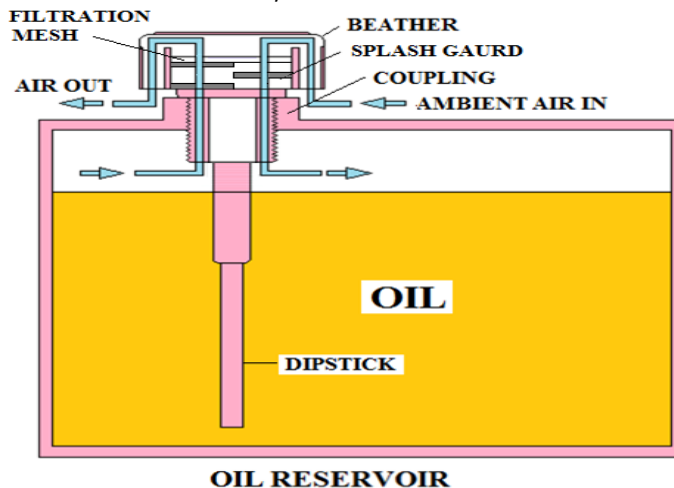
MODEL NO	D	D 1	H 1	H 2	H 4	H 3
BP 40 - 1 / 2"	42	26.0	17	22.5	2.0	98.0

TOLERANCE: + 1 MM

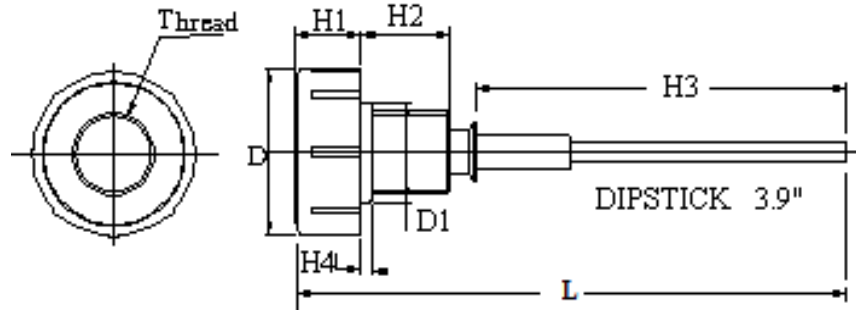
**MODEL CODE :
ASSEMBLY**

B P 40	**	**	**
SERIES	SIZE	THREAD	FEATURE
	INCH		OPTIONAL # (OMIT IF NOT REQD)
B P 40	0 4 - 1/2"	N - NPT	DS - DIP STICK

CONSULT FACTORY FOR OPTIONAL THREADS / DIP STICK



- STURDY CONSTRUCTION
- VENTS UNDERNEATH
- FILTRATION 40 MICRONS
- SUITABLE FOR MINIATURE POWER PACKS
- DIPSTICK OPTIONAL
- CONSULT FACTORY FOR OEM BULK CUSTOM REQUIREMENT
- Maximum temperature 100 °C



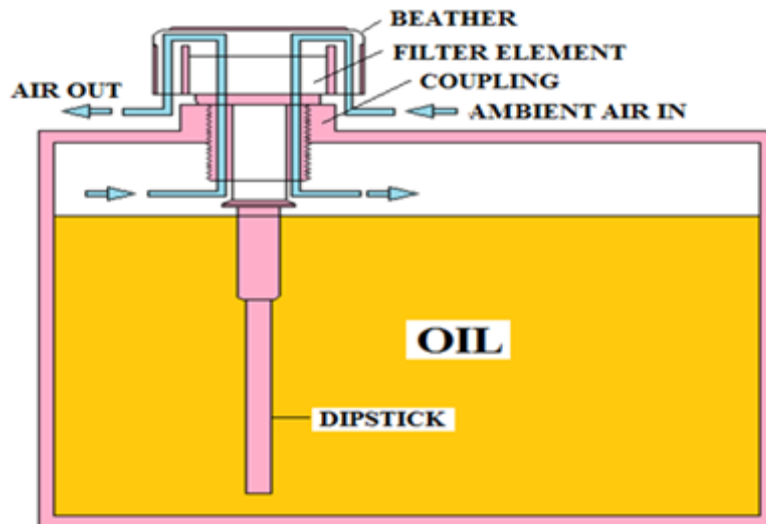
MODEL NO	D	D 1	H 1	H 2	H3	H 4	LENTH
BP 40 - 3 / 8"	35.0	21.0	16.0	15.0	—	—	-
BP 40 - 3 / 4"	48.0	32.5	18.0	20.0	88.0	5.0	132.0
BP 40 - 1"	52.0	36.5	21.5	29.0	88.0	4.0	143.0

TOLERANCE: ± 1 MM

MODEL CODE : ASSEMBLY

B P 40	**	**	**
SERIES	SIZE	THREAD	FEATURE
	INCH		OPTIONAL # (OMIT IF NOT REQD)
	0 3 - 3/8"	N - NPT	
B P 40	0 6 - 3/4"		DS - DIP STICK
	0 8 - 1"	B - BSP	

CONSULT FACTORY FOR OPTIONAL THREADS / DIP STICK
 DIMENSIONS IMM FOR REFERENCE ONLY



APPLICATION OF AIR BEATHER